

## 700TK series Slew drives

The 700TK series are the ideal compact and yet powerful package for the slew drive of excavators up to approx. 120 ton class.

The units are powered by integrated axial piston hydraulic motors, developed in cooperation with KAYABA and can be accommodated within the smallest space.

Wide choice of drive pinions, standard or to customer specs.



### Torque Range

750 ... 30000 Nm

### Excavator weight

1.5 to 120 Ton

### Gear Ratios

7 ... 40

### Key Features

- Flange mounted
- Output shaft with integral pinion
- Rugged construction
- High torque capacity
- Output shafts supported by heavy duty bearings
- Compact design

### Hydraulic motors

KAYABA hydraulic motor fixed displacement complete with shockless type pressure relief valve

### Motor options

Anti swing-back valve

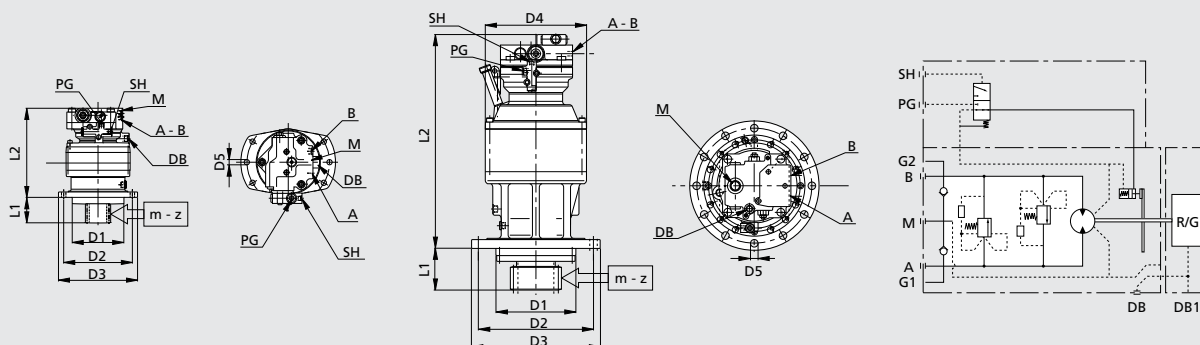
### Brake

Hydraulically released failsafe parking brake  
Brake retarder valve on request

Type	Excavator Torque (Nm)
700 T1 K	750
701 T2 K	1200
703 T2 K	2500
705 T2 K	5000
706 T2 K	7500
707 T2 F	9000
709 T2 F	11000
710 T2 F	15000
711 T2 F	24000
713 T2 F	30000



TYPE	GEARBOX	MOTOR DISPLACEMENT	MAX. PRESSURE	MAX. FLOW	PARKING BRAKE		RANGE OF RATIO	APPROX. WEIGHT OF MACHINE
	nbr	cm	bar	l/min	Yes	No	1:	Ton
700 T1 K	1	27.4	210	18	•	•	8.2	1.5 - 2.5
701 T2 K	1	27.4	210	30	•	•	13.7-20.8	3 - 4
703 T2 K	1	27.4	250	50	•	•	14.8-35.6	5 - 6
705 T2 K	1	44.1	280	80	•		18-26.3	7 - 8
706 T2 K	1	87.3	320	160	•		15.3-33	9 - 13
707 T2 F	1	87.3	320	160	•		14.7-22.3	15 - 18
709 T2 F	1	130-160-180	270 ÷ 290	180 ÷ 240	•		19-25	21 - 26
710 T2 F	1	160-180	270 ÷ 290	250	•		22-26	26 - 30
711 T2 F	1	210	270 ÷ 290	290	•		21-25	30 - 35
709 T2 F	2	130-160-180	270 ÷ 290	180 ÷ 240	•		19-25	35 - 45
710 T2 F	2	160-180	270 ÷ 290	250	•		22-26	45 - 60
711 T2 F	2	210	270 ÷ 290	290	•		21-25	60 - 80
713 T2 F	2	160-180	270 ÷ 290	270	•		25-35	80 - 120



TYPE	D1	D2	D3	D4	D5	D6	A-B	DB	M	SH	PG	m	z
700 T1 K	-	228	260	186	∅ 13 n°6	76	MAIN PORT	DRAIN PORT	ANTICAVITATION PORT	SPOOL OPERATING PORT	BRAKE RELEASE PORT	Module / number of teeth of pinion	UPON REQUEST
701 T2 K	175	228	260	186	∅ 13 n°6	86							
703 T2 K	175	245	272	244	∅ 18 n°10	120							
705 T2 K	230	245	272	244	∅ 18 n°10	120							
706 T2 K	230	332	372	292	∅ 22 n°10	150							
706 T2 K	270	332	372	292	∅ 22 n°10	150							
707 T2 K	-	360	410	348	∅ 22 n°12	160							
707 T2 F	-	360	410	348	∅ 22 n°12	160							
709 T2 F	270	360	410	348	∅ 22 n°12	160							
710 T2 F	390	460	510	400	∅ 22 n°12	160							
711 T2 F	370	470	520	430	∅ 22 n°12	160							
713 T2 F	550	600	660	445	∅ 26 n°24	350							

## HEADQUARTERS

Bonfiglioli Riduttori S.p.A.  
Via Giovanni XXIII, 7/A  
40012 Lippo di Calderara di Reno  
Bologna (Italy)

tel: +39 051 647 3111  
fax: +39 051 647 3126  
bonfiglioli@bonfiglioli.com  
www.bonfiglioli.com

